

三惠クローラーカート

**剛 力**

**SC-200D型**

**部 品 価 格 表**

株式会社 **佐藤製作所**

新潟県上越市木田1850番地

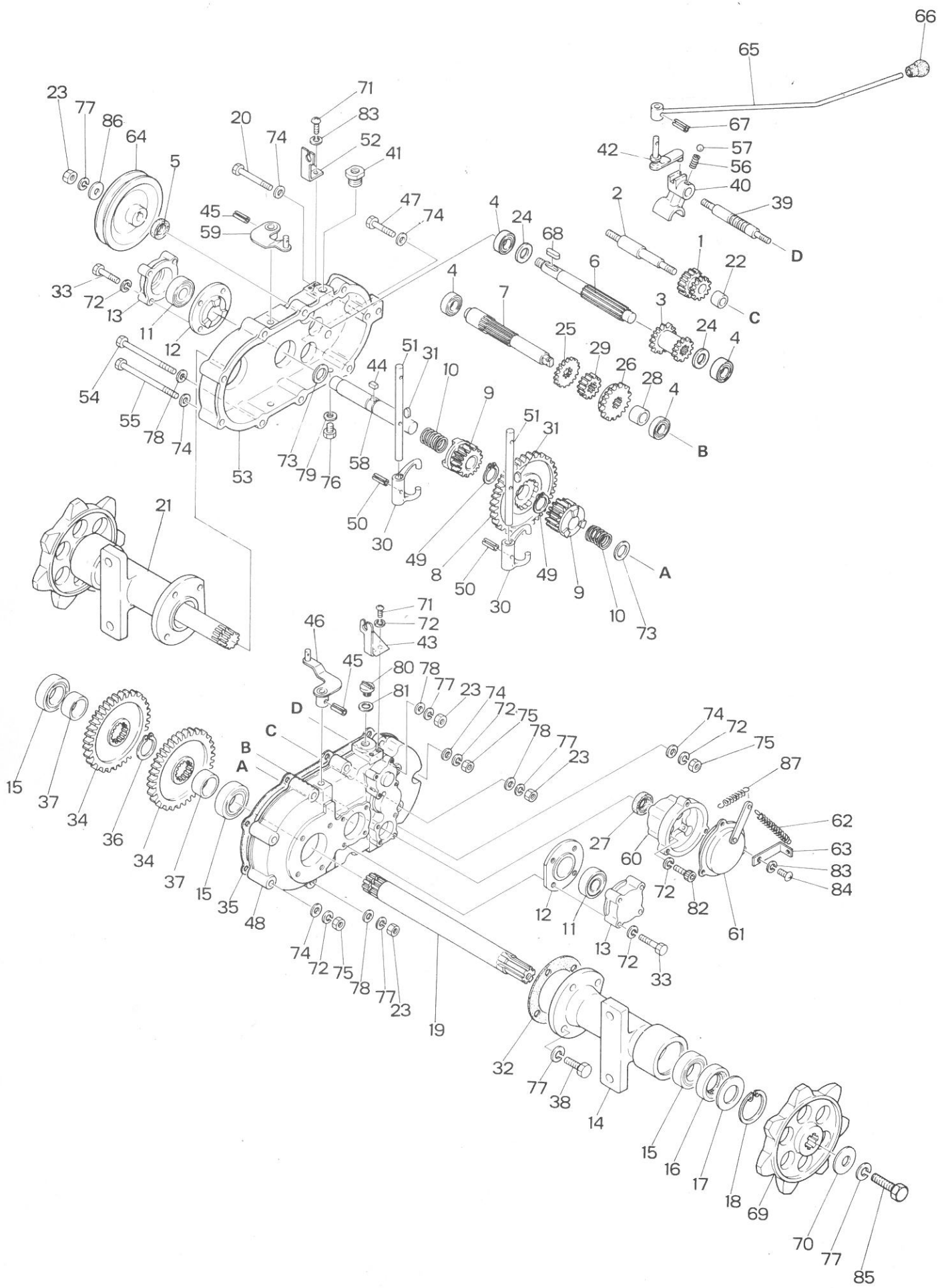
電話0255-24-5151(代)

FAX0255-24-7232

## 目 次

1. ミッション関係.....	2
2. フレーム関係.....	6
3. 荷台関係.....	10

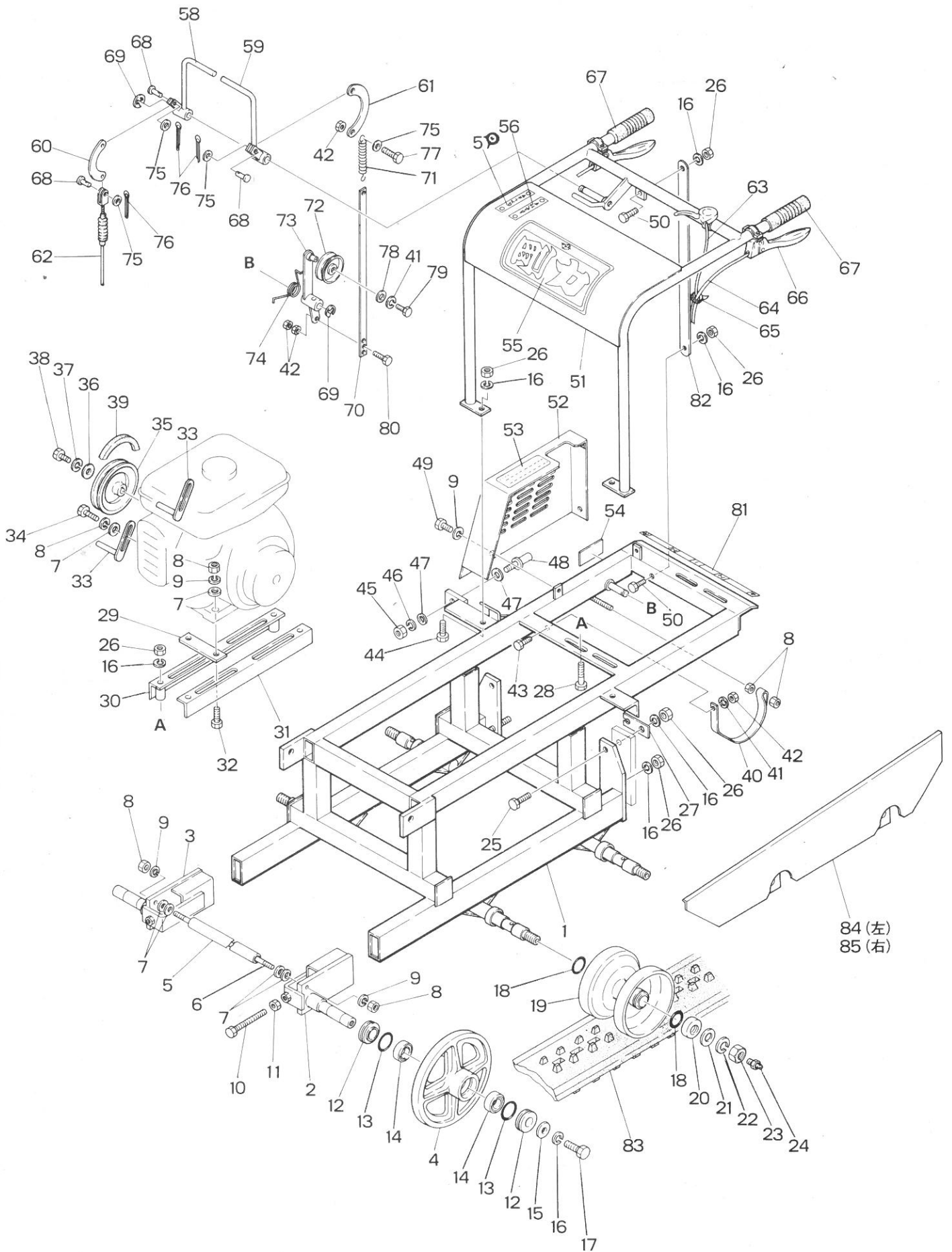
①



1- 1	0116025641		1		
1- 2	0116025571		1		
1- 3	0116025601		1		
1- 4	0040106003		4	6003	
1- 5	0600173008		1	TC173008	
1- 6	0116025534		1		
1- 7	0116065200		1		
1- 8	0116025651		1		
1- 9	0116025661		2		
1-10	0116010000		2		
1-11	0040106004		2	6004	
1-12	0116026005		2		
1-13	0116026040		2		
1-14	0116025213		1		
1-15	0040106006		4	6006	
1-16	0600305512		2	TC305512	
1-17	0116034000		2		
1-18	0036500055		2	H-55	
1-19	0116025561		2		
1-20	0010100860		3	M8×60((半))	
1-21	0116025233		1		
1-22	0116025180		1		
1-23	0020100010		4	M10	
1-24	0116004000		2		
1-25	0116025611		1		
1-26	0116025631		1		
1-27	0600173007		1	TC173007	
1-28	0116025190		1		
1-29	0116025621		1		
1-30	0116026030		2		
1-31	0300040409		2	4×4×9 (兩丸)	
1-32	0116024000		2		
1-33	0100000016		8	M8×35	
1-34	0116025120		2		
1-35	0116024010		1		
1-36	0036100030		2	S-30	
1-37	0116025170		2		
1-38	0010101025		8	M10×25	
1-39	0116026070		1		

1-40	0116025201		1		
1-41	0116025410		1		
1-42	0116025400		1		
1-43	0116026111		1		
1-44	0300050508		1	5×5×8 (両角)	
1-45	0030300422 0030302520		2	φ 4×22. φ 2.5×20	
1-46	0116033400		1		
1-47	0100000017		2	M 8×35	
1-48	0116000000		1		
1-49	0036100020		2	S-22	
1-50	0030300420		2	φ 4×20	
1-51	0116026050		2		
1-52	0116026112		1		
1-53	01160-0010		1		
1-54	01000-0062		2	M10×120 (半)	
1-55	01000-0025		2	M 8×110 (半)	
1-56	0116010200		1		
1-57	0048109998		1	φ 8球	
1-58	0116025551		1		
1-59	0116033410		1		
1-60	0116026100		1		
1-61	0116026110		1		
1-62	6062104020		1		
1-63	6012263000		1		
1-64	6012301000	入力軸	1		
1-65	6012331000		1		
1-66	6066030030		1	φ 12用 黒	
1-67	0030300325 0030300525		1	φ 3×25, φ 5×25	
1-68	0300000023		1	5×5×25 (両丸)	
1-69	6030020000		2		
1-70	6030201000		2		
1-71	0015100614		4	M 6×14	
1-72	0027100008		16	M 8	
1-73	0116004200		2		
1-74	0026100008		12	M 8	
1-75	0020100008		16	M 8	
1-76	0116019200		1	M10×12	
1-77	0026100010		1	M10	
1-78	0020100008		8	M10	







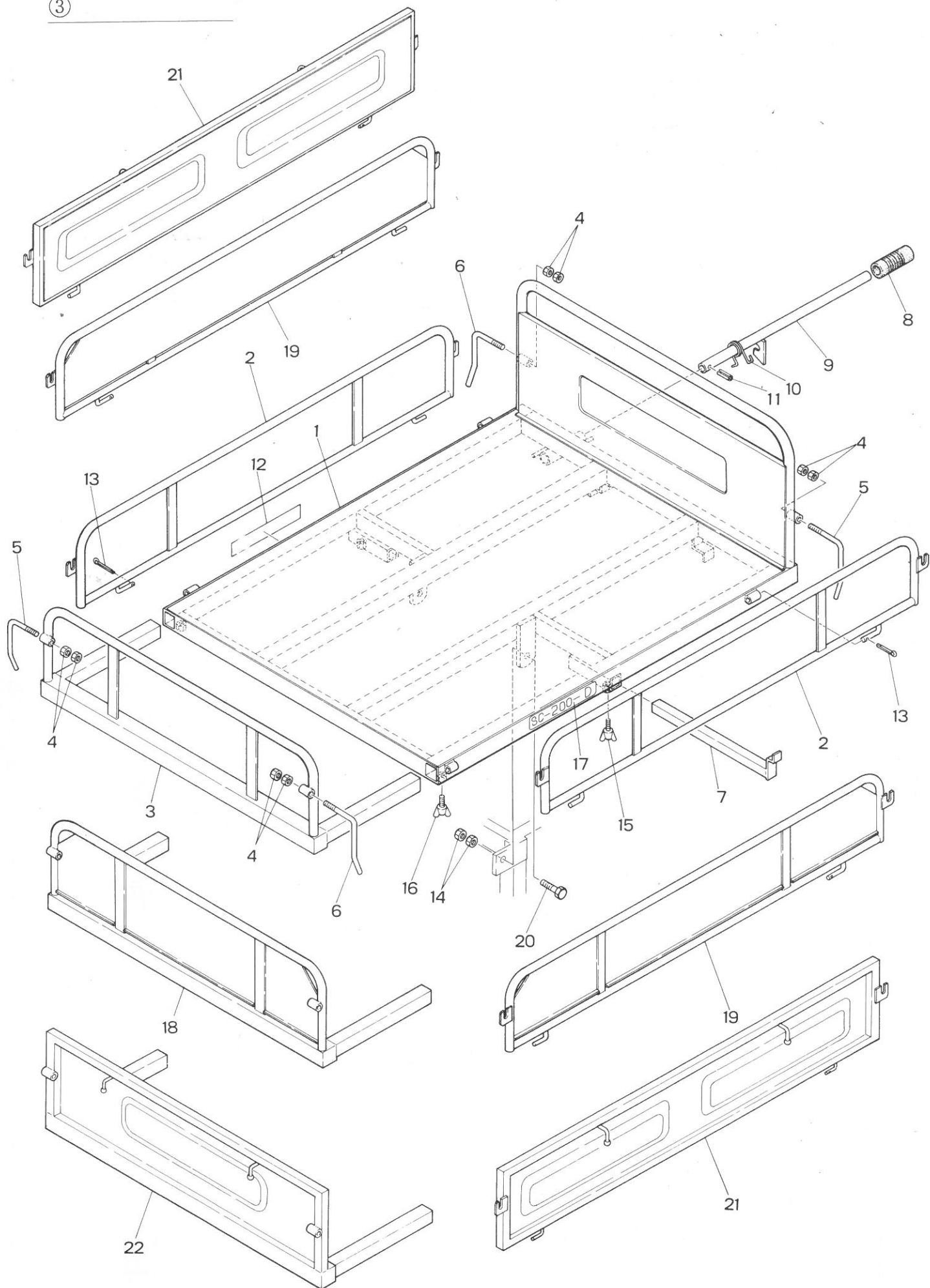
2-1	6011180000		1	
2-2	6011540010		1	
2-3	6011540000		1	
2-4	6011530000		2	
2-5	6011040000		1	
2-6	6011160000		1	
2-7	0026100008		12	M8
2-8	0020100008		9	M8
2-9	0027100008		8	M8
2-10	0100000001		2	M16×120(全) (S45C)
2-11	0020100016		2	M16
2-12	6011043000		4	
2-13	0052300450		4	G-45
2-14	0040146005		4	6005 (2 NS)
2-15	6030201000		2	
2-16	0027100012		2	M12
2-17	0010111245		2	M12×45 (半) (S45C)
2-18	0052100360		8	P-36
2-29	6011550000		4	
2-20	6061591000		4	
2-21	0026100020		4	M20
2-22	0027100020		4	M20
2-23	0020200020		4	M20×P1.5
2-24	0060660000		4	UNF 1/4 (28山)
2-25	0010101245		2	M12×45 (半)
2-26	0020100012		4	M12
2-27	6012261000		1	
2-28	0010101050		4	M10×50 (半)
2-29	6012720000		2	
2-30	6012290000		1	
2-31	6012290000		1	
2-32	0100000020		4	M8×50 (全)
2-33	6152370000		2	
2-34	0010100816		2	M8×16
2-35	6012302000		1	
2-36	6016201000		1	
2-37	0100000015		1	M8×25
2-38	0027100008		1	M8
2-39	0080300035		1	<del>B-35</del> B-34



2-40	6012370000		1		
2-41	0027100006		1	M6	
2-42	0020100006		1	M6	
2-43	0100000008		1	M6×20	
2-44	0010101020		2	M10×20	
2-45	0020100012		1	M12	
2-46	0027100012		1	M12	
2-47	0026100012		2	M12	
2-48	6062070010		1		
2-49	0010100812		2	M8×12	
2-50	0100000028		1	M10×30 (全)	
2-51	6012310000		1		
2-52	6012341000		1		
2-53	6016020020		1		
2-54	6066020030		1		
2-55	6066020080		1		
2-56	6066020000		1		
2-57	6066020010		1		
2-58	7042335000		1		
2-59	7042332000		1		
2-60	2737220010		1		
2-61	6012400000		1		
2-62	6016041000		1		
2-63	6066043000		1		
2-64	6016131000		2		
2-65	6036280000		2		
2-66	6016131000		2		
2-67	6066030000		2		
2-68	6066080000		2		
2-69	0036800012		2	E-12	
2-70	6012401000		1		
2-71	6062105000		1		
2-72	6066110000		1		
2-73	6012280000		1		
2-74	6012104000		1		
2-75	0026100006		4	M6	
2-76	0030102515		3	φ 2.5×15	
2-77	0100000008		1	M6×20	
2-78	6066070000		1		



③



3- 1	6012600000		1	
3- 2	6012610000		2	
3- 3	6012632000		1	
3- 4	0020100010		8	M10
3- 5	6062392000		2	
3- 6	6062392010		2	
3- 7	6012631000		2	
3- 8	6066030000		1	
3- 9	6012393000		1	
3-10	6062104040		1	
3-11	0030300530		1	$\phi 5 \times 35$
3-12	6016020000		1	
3-13	0030103025		2	$\phi 3 \times 20$
3-14	0020100012		4	M12
3-15	0014100815		2	M8 $\times$ 15
3-16	0014100815		2	M8 $\times$ 15
3-17	6016020031		1	
3-18	6012632010		1	
3-19	6012610010		2	
3-20	6036050000		2	
3-21	6012610001		2	
3-22	6012632001		1	